

Instructions

Central Processing Unit

Before attempting to connect or operate this product, please read these instructions carefully and save this manual for future use.

Model No. **WJ-MPU850**

For U.S.A.



SA 1965

The lightning flash with arrowhead symbol, within an equilateral triangle, is intended to alert the user to the presence of uninsulated "dangerous voltage" within the product's enclosure that may be of sufficient magnitude to constitute a risk of electric shock to persons.



SA 1966

The exclamation point within an equilateral triangle is intended to alert the user to the presence of important operating and maintenance (servicing) instructions in the literature accompanying the appliance.

NOTE: This equipment has been tested and found to comply with the limits for a Class A digital device, pursuant to Part 15 of the FCC Rules. These limits are designed to provide reasonable protection against harmful interference when the equipment is operated in a commercial environment. This equipment generates, uses, and can radiate radio frequency energy and, if not installed and used in accordance with the instruction manual, may cause harmful interference to radio communications.

Operation of this equipment in a residential area is likely to cause harmful interference in which case the user will be required to correct the interference at his own expense.

FCC Caution: To assure continued compliance, (example - use only shielded interface cables when connecting to computer or peripheral devices). Any changes or modifications not expressly approved by the party responsible for compliance could void the user's authority to operate this equipment.

The serial number of this product may be found on the rear of the unit.

You should note the serial number of this unit in the space provided and retain this book as a permanent record of your purchase to aid identification in the event of theft.

Model No. _____

Serial No. _____

WARNING:

To reduce the risk of fire or electric shock, do not expose this appliance to rain or moisture.

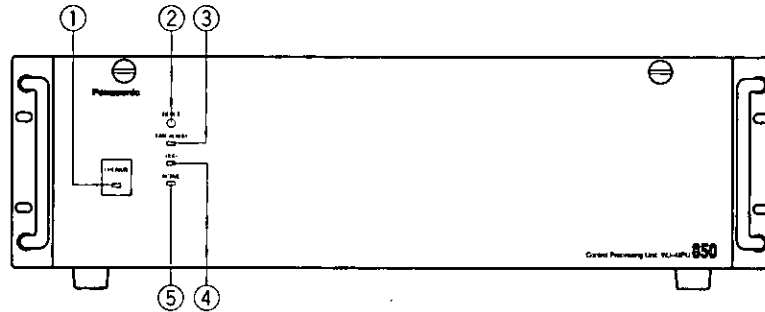
■ Preface

The WJ-MPU850 CPU is the Central Processing Unit for the System 850 Matrix Switcher. The System 850 Matrix Switcher is a CCTV surveillance system having multiple video inputs, multiple video outputs, and multiple control stations. The WJ-MPU850 is capable of controlling a maximum of 512 video input sources and a maximum of 64 video outputs, such as monitors, with 16 system controllers.

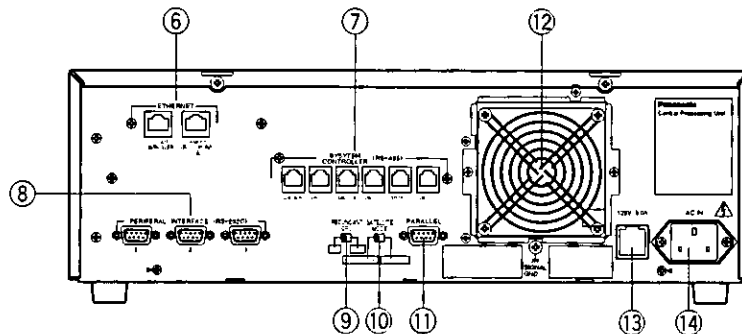
The WJ-MPU850 is a high-performance Intel X86 processor based computer running the OS-9 real time operating system allowing you to build up a redundant system of duplicate CPUs.

■ Appearance

● Front View



● Rear View



① Operate Indicator (OPERATE)

Is on when the power of the WJ-MPU850 CPU is turned on.

Note: The power switch of the CPU is located underneath the front panel.

Remove the front panel by removing two screws on the panel.

② Reset Button (RESET)

The RESET button is recessed inside the front panel hole to the right of the OPERATE indicator.

Press this button when the CPU rejects control from outboard equipment.

③ Fan Alarm Indicator (FAN ALARM)

Indicates the cooling fan status.

This LED lights when a temperature rise in the CPU is detected. Turn the power off and refer servicing to qualified service personnel.

④ HDD (Hard Disk Drive) Indicator (HDD)

Indicates the hard disk drive status.

⑤ Active Indicator (ACTIVE)

Indicates the system status of the CPU.

⑥ Ethernet Ports (ETHERNET)

Exchange control data via Ethernet.

● SYSTEM CONTROLLER

This port is provided for controlling the 850 System with the WV-CU850 system controllers. Up to 16 controllers can be connected to this port through a hub.

Note: The total number of system controllers connected via RS-485 and Ethernet is limited to 16.

● CAMERA/CROSS POINT/OSD

This port is used to exchange control data between the cages through a hub.

⑦ Controller Ports [SYSTEM CONTROLLER (RS-485)]

These ports are provided for controlling the 850 System with the WV-CU350 system controllers. Up to 6 controllers can be connected

⑧ Peripheral Interface Ports [PERIPHERAL INTERFACE (RS-232C)]

These ports are reserved for future use or factory tests.

⑨ Redundant CPU selector (REDUNDANT CPU)

Selects either a redundant system or a standalone system.

The factory default setting is NO.

⑩ Mode Selector (SATELLITE MODE)

Always keep in STANDALONE position.

⑪ Parallel Port (PARALLEL)

This port is used to connect to the WJ-MPS855 CPU Switch Unit for a redundant system.

⑫ Cooling Fan Unit

Prevents the temperature of the CPU from rising.

Do not block the ventilation opening on the cover.

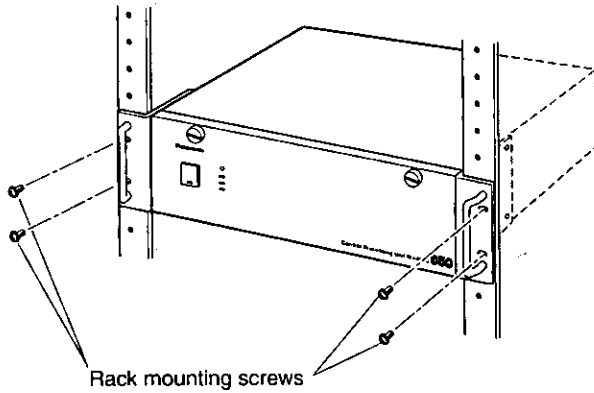
⑬ Fuse Holder

⑭ AC Inlet Socket (AC IN)

Plug the power cord (supplied as a standard accessory) into this socket and connect it to an AC outlet.

■ Mounting into the Rack

1. Remove the four rubber feet by removing four screws from the bottom of the CPU.
2. Install the CPU in the rack securing it with four screws (not included).



Cautions:

- The cooling fans inside the CPU are subject to wear and need to be replaced periodically.
- Do not block the ventilation opening or slots on the cover to prevent the appliance from overheating. Always keep the temperature in the rack within 50°C (122°F).
- Secure the rear of the appliance to the rack by using the additional mounting brackets (procured locally) if the rack is subject to vibration.

■ Specifications

Power Supply:	120 V AC 60 Hz
Power Consumption:	90 W
Controllable Cameras:	512 cameras (4 card cages)
Cross Point Controllable Cages:	512 x 64 (4 card cages)
Controllable Monitors:	64 (1 card cage)
System Controller Ports:	
Ethernet;	10Base-T, 8-conductor modular jack (x1) Maximum 16 controllers(*)
RS-485;	6-conductor modular jack (x6) Maximum 6 controllers(*)
Ethernet Ports:	10Base-T, 8-conductor modular jack for card cage control (1 port)
RS-232C Port:	9-pin D-sub connector (x3)
Ambient Operating Temperature:	-10°C - +50°C (14°F - 122°F)
Ambient Operating Humidity:	Less than 90%
Dimensions:	430 (W) x 132 (H) x 350 (D) mm 16-15/16" (W) x 5-3/16" (H) x 13-3/4" (D)
Weight:	16 kg (35 lbs)

(*) The total number of system controllers connected via RS-485 and Ethernet is limited to 16.

Weight and dimensions indicated are approximate.
Specifications are subject to change without notice.

■ Accessory

Power Cord	1 pc.
CD-ROM	1 pc.

Panasonic Security and Digital Imaging Company

A Division of Matsushita Electric Corporation of America

Executive Office: One Panasonic Way 3E-7, Secaucus, New Jersey 07094

Regional Offices:

Northeast: One Panasonic Way, Secaucus, NJ 07094 (201) 348-7303

Southern: 1225 Northbrook Parkway, Suite 1-160, Suwanee, GA 30024 (770) 338-6838

Midwest: 1707 North Randall Road, Elgin, IL 60123 (847) 468-5211

Western: 6550 Katella Ave., Cypress, CA 90630 (714) 373-7840

Panasonic Canada Inc.

5770 Ambler Drive, Mississauga,
Ontario, L4W 2T3 Canada (905)624-5010

Panasonic Sales Company

Division of Matsushita Electric of Puerto Rico Inc.

Ave. 65 de Infanteria. Km. 9.5
San Gabriel Industrial Park, Carolina,
Puerto Rico 00985 (809)750-4300